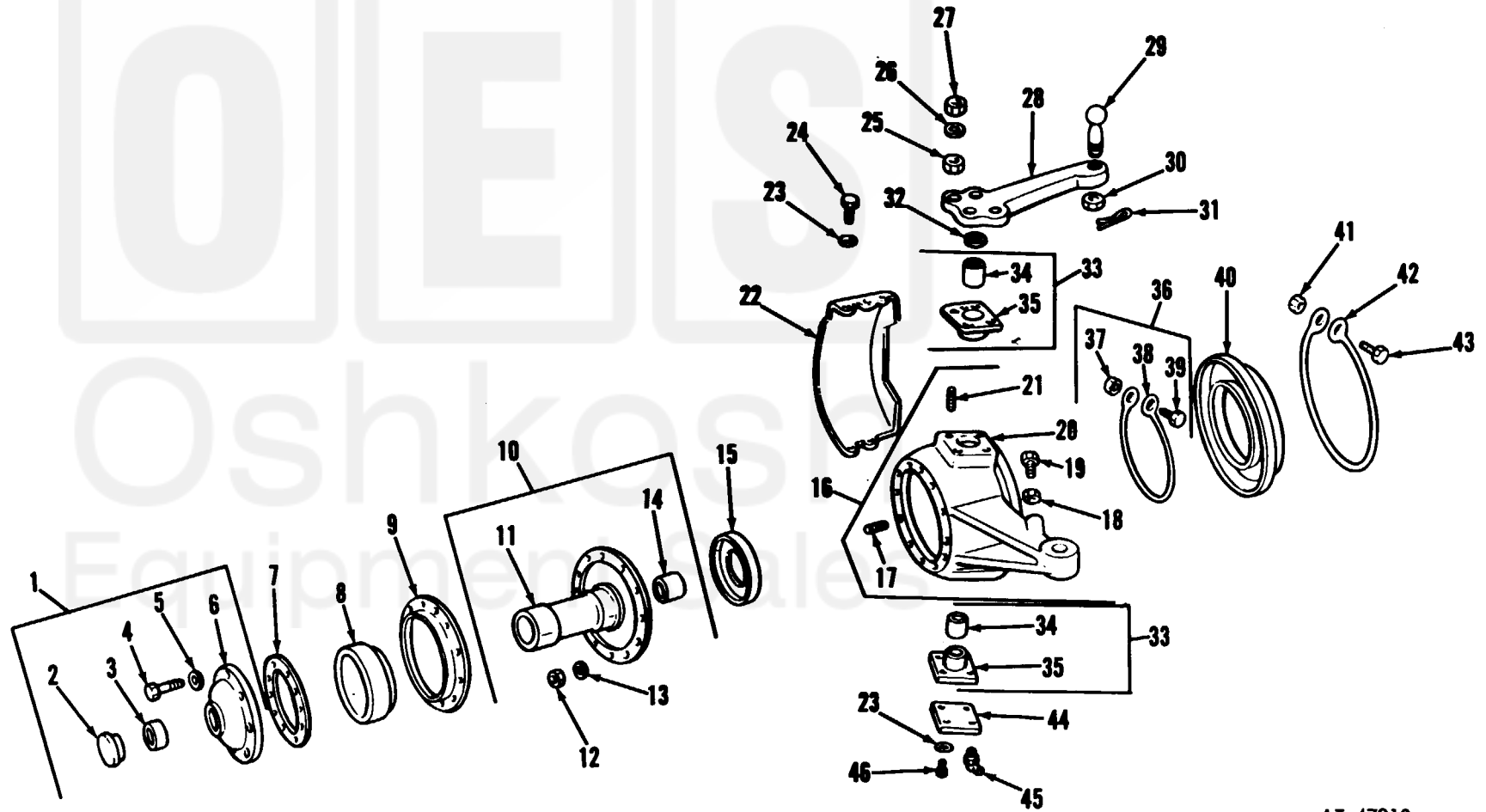


Current part is item (21) on diagram. Available at [www.oshkoshequipment.com](http://www.oshkoshequipment.com)

(1) SMR Code	(2) Federal Stock Number	(3) DESCRIPTION	(4) UNIT	(5) Qty	(6) 30-day DS maint	(7) 30-day GS maint	(8) 1-yr Depot	(9) Illustration	(10) Illustration	(11) alw	(12) maint	(13) per equip	(14) 100	(15) per equip	(16) 100	(17) Figure No.	(18) Item No.
Reference Number & Mfr. Code			Usable On Code			(a)	(b)	(c)	(a)	(b)	(c)	gcy					
1004-STEERING AND LEANING WHEEL MECHANISM-CONTINUED																	
P-O	5310-012-1983	NUT,PLAIN,HEXAGON: SPINDLE STUD 131983 (21540)	A	EA	10	*	*	*	*	*	*	6	20	71	12		
P-O	5310-616-6354	WASHER,FLAT:SPINDLE STUD MS35335-38 (96906)	A	EA	10	*	*	*	*	*	*	6	20	71	13		
P-F	3120-537-0614	BEARING,BRAKE: SPINDLE 7346983 (19207)	A	EA	2	*	*	*	*	*	*	15	30	71	14		
P-F	5310-033-6007	WASHER,FLAT: UNIVERSAL JOINT SPACER OUTER 7346986 (19207)	A	EA	2	*	*	*	*	*	*	6	10	71	15		
P-F	2530-734-6815	KNUCKLE ASSEMBLY: (LEFT,WITH STUDS) 7346815 (19207)	A	EA	1	*	*	*	*	*	*	4	10	71	16		
P-F	2530-734-6816	KNUCKLE ASSEMBLY: (RIGHT,WITH STUDS) 7346816 (19207)	A	EA	1	*	*	*	*	*	*	4	10	71	16		
P-F	5307-734-6811	STUD,PLAIN: KNUCKLE 7346811 (19207)	A	EA	12	*	*	*	*	*	*	8	20	71	17		
X1		NUT,PLAIN: A225876 (19207)	A		2									71	18		
X1		SCREW,MACHINE: A225875 (19207)	A		2									71	19		
P-F	2520-177-7906	KNUCKLE: 8758352 (19207)	A	EA	1	*	*	*	*	*	*	4	8	71	20		
P-F	5307-734-6900	STUD,PLAIN: KNUCKLE TO ARM 7346900 (19207)	A	EA	4	*	*	*	*	*	*	4	8	71	21		
P-F	2520-734-6977	GUARD: UNIVERSAL JOINT BOOT LEFT 7346977 (19207)	A	EA	1	*	*	*	*	*	*	4	10	71	22		
P-F	2530-734-6978	GUARD: UNIVERSAL JOINT BOOT,RIGHT 7346978 (19207)	A	EA	1	*	*	*	*	*	*	4	10	71	22		
P-F	5310-820-6653	WASHER,LOCK: BOOT GUARD MS35338-50 (96906)	A	EA	7	*	*	*	*	*	*	6	10	71	23		
P-F	5305-044-5503	SCREW,MACHINE: BOOT GUARD MS90725-160 (96906)	A	EA	6	*	*	*	*	*	*	6	10	71	24		
P-F	5340-427-2282	BUSHING,TAPERED: STEERING KNUCKLE AND BEARING 7346812 (19207)	A	EA	4	*	*	*	*	*	*	8	20	71	25		
P-F	5310-800-0695	WASHER,FLAT:ARM MS35335-39 (96906)	A	EA	4	*	*	*	*	*	*	6	10	71	26		
P-F	5310-274-7721	NUT,PLAIN,HEXAGON:STEERING KNUCKLE ARM 7346813 (19207)	A	EA	4	*	*	*	*	*	*	6	10	71	27		

Current part is item (21) on diagram. Available at [www.oshkoshequipment.com](http://www.oshkoshequipment.com)



AT 47210

Figure 71. Steering knuckle and related parts.